

FTCAP GmbH
 Carl-Benz Str. 1
 25813 Husum / Germany
 Tel. +49 (0) 4841 8957 0
 Fax. +49 (0) 4841 8957 45
 Email info@ftcap.de

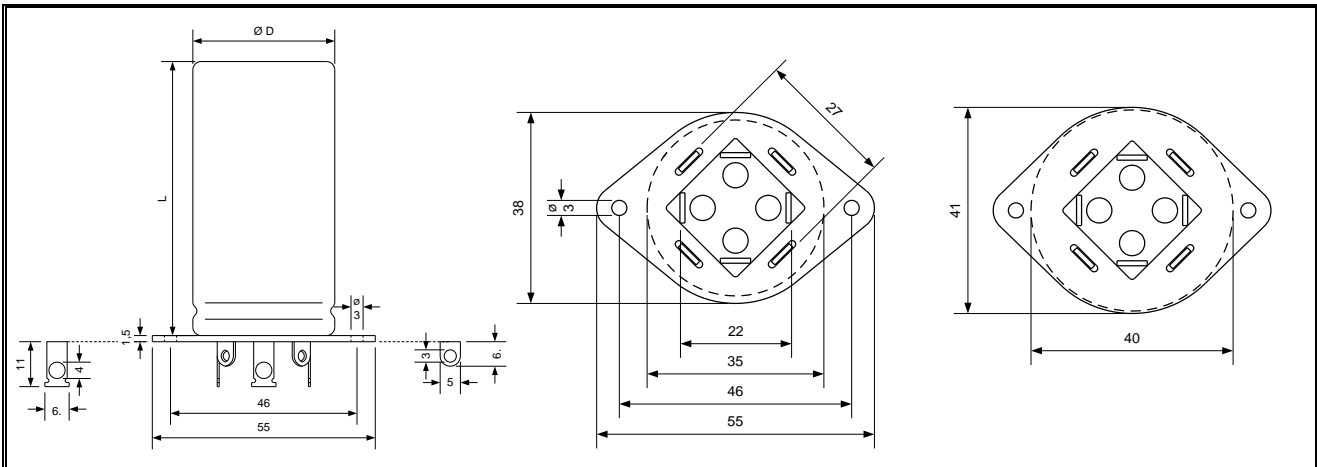
FTCAP GmbH

Data sheet



Type : KTL four prong US-Style twist mount

RoHS Compliant



Electrical Parameters

Reverse Voltage (U_R) max. 1 s	2 V				
Tolerance	-10 / +20 %		Unless otherwise noted		
ESL typ.	20 nH				
IEC Climatic category / Standards	40/70/56 (-40 °C to +70 °C)		IEC 60384-4		
Leakage Current (I_L) $U_R / 5 \text{ min} / 20 \text{ °C}$	$0,006 * C_R [\mu\text{F}] * U_R [\text{V}] [\mu\text{A}]$				
	Rated Capacitance (C_R) 100 Hz / 20 °C [μF] Cap- Symbol: ◀ / ■ / ▲ / ●	Rated Voltage (U_R) [V]	Tan δ typ. 100 Hz / 20 °C [%]	D [mm]	L [mm]
KTL 3	250 / nc/ nc/ nc	250	10	35	70
KTL 3-3	330 / nc/ nc/ nc	250	10	35	70
KTL 9	50 / 50 / 50 / 50	500	8	40	60
KTL 10	2000 / 2000 / nc/ nc	35	20	35	55
KTL 13	30 / 20 / 20 / 20	550	8	35	88
KTL 14	40 / 40 / 20 / 20	550	8	40	60
KTL 25	80 / 40 / 30 / 20			35	98
	80 / 40 / 20	550	8		
	30	525	8		
KTL 40	1000 / 1000 / 500 / 200 -10/+30%	100	10	40	60
KTL 41	200 / 50 / nc/ nc -10/+30%	500	10	40	66
KTL 50	1400 / 1400 / 1000 / nc ±20%	50	20	35	65
KTL 35 (Can positive)	20 / 20 / 20 / nc -10/+30%	550	7	35	88